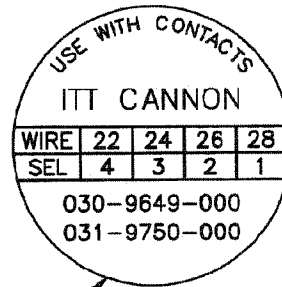
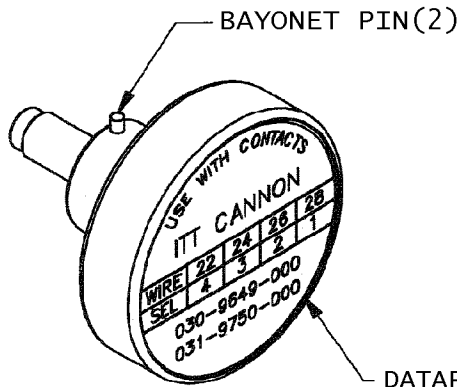
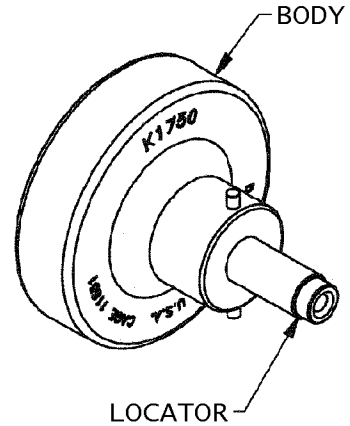
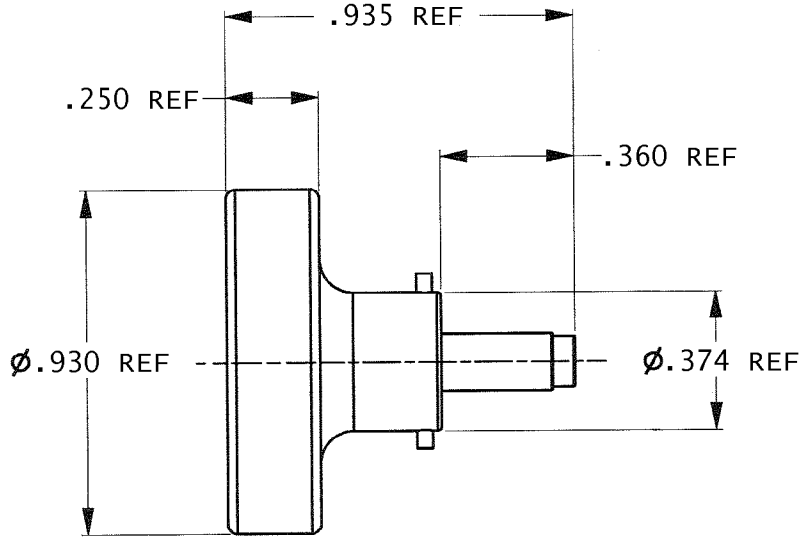


This is issued in strict confidence on condition that it is not used as a basis for manufacture or sale, and that it is not copied, reprinted or disclosed to a third party either wholly or in part without the prior written consent of ITT Cannon.

REVISIONS

LTR	DESCRIPTION	DATE	APPROVAL
-	INITIAL RELEASE		



DATAPLATE

EXPORT CLASSIFICATION CODE	RoHS COMPLIANCE CODE
<b>C</b> - Controlled by US Department of Commerce (License may be required based on Country of destination) <b>NRC</b> - Controlled by Nuclear Regulatory Commission	<b>NTC</b> - not RoHS compliant <b>ROH</b> - RoHS not hi-temp <b>NOTE</b> - REFER TO TABLE/NOTES
<b>C</b>	<b>NTC</b>

**ITT** Cannon Connectors  
666 E. Dyer Rd, SANTA ANA, CA 92705

UNLESS OTHERWISE SPECIFIED:  
- DIMENSIONS AND TOLERANCES AS PER ASME Y14.5M-1994  
- DIMENSIONS ARE IN INCHES AND (MM)  
- REMOVE ALL BURRS AND SHARP EDGES .005 (0.13) MAX.  
- DO NOT SCALE DRAWING.

DRAWN MIKE MARTINEZ	DATE 6-16-09	SURFACE AREA	CRITICAL DIM ▼
CHECKED ALAN SEELEY	DATE 6-16-09	REF	SPC DIM ☉
APPROVED ALAN SEELEY	DATE 6-17-09	PART NO 995-0002-297	KEY CHARACTERISTIC KEY ▶
TOL DECIMALS .X ± .02 (0.51) .XX ± .01 (0.25) .XXX ± .005 (0.127) .XXXX ± .0005 (0.0127)	TOL ANGLES X ± P SURFACE ROUGHNESS 63 (1.6)	SCALE NONE	DESCRIPTION <b>POSITIONER PIN/SOCKET CONTACT MKJ SERIES</b>
3RD ANGLE PROJECTION	SIZE A	USE P/C	SHEET 1 / 1
DWG FILE NAME: 995-0002-297			REV -